

## Cast Steel Check Valve

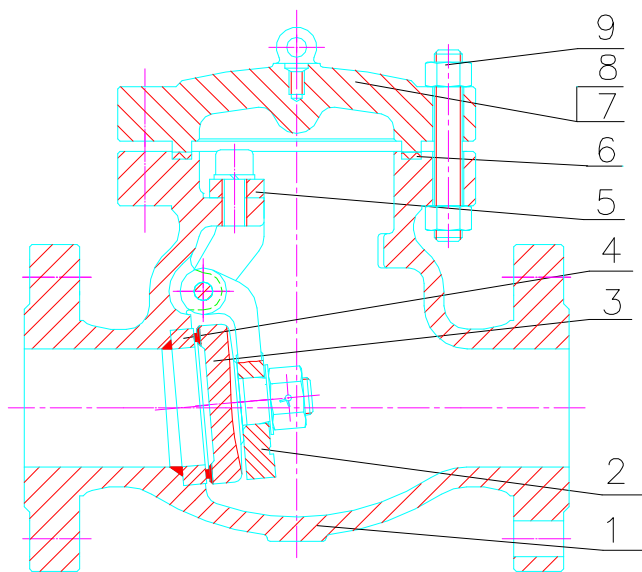
### Product Range

Size and Pressure	150LB	2"-24"
	300LB	2"-24"
	600LB	2"-24"
	900-2500LB	2"-12"
Body Material	WCB, LCB, WC6, WC9, C12, C5, CF8, CF3, CF3M, CF8M	

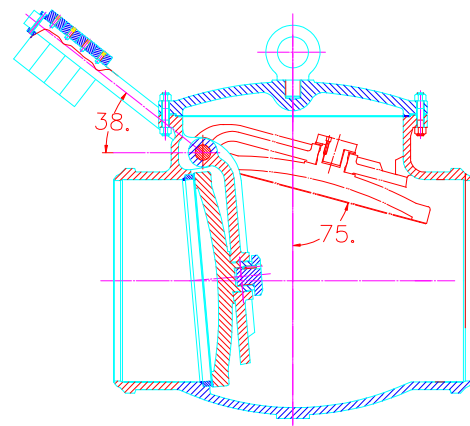
### Enforced Standard

Design	BS 1868/ASME B16.34/API 6D
Face To Face	ASME B16.10/API 6D
End Flange	ASME B16.5
Test	API 598/API 6D
Special	NACE MR-01-75

### Ordinary Design



### CounterWeight Design



### FEATURES:

Bolted Bonnet/Pressure Seal, Renewable Seat/Overlay Welding Seat, Flexible Gate/Solid Gate, Complete Open

### Part Name

No.	1	2	3	4	5	6	7
Name	Body	Hinge	Disc	Seat	Gasket	Yoke	Bolt
No.	8	9					
Name	Nut	Bonnet					