

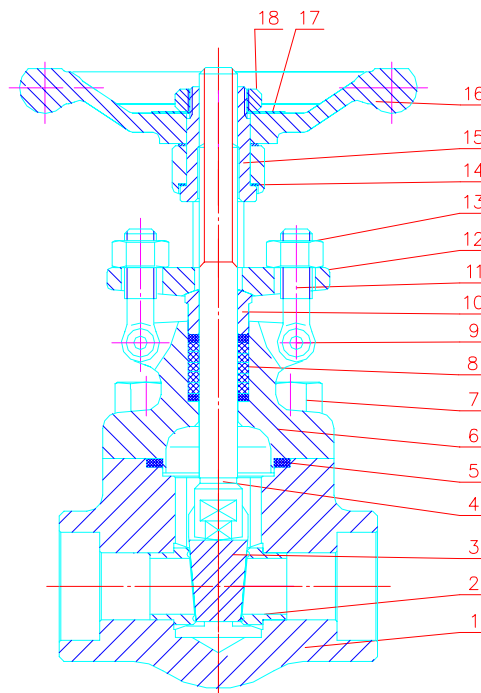
Forged Steel Gate Valve

Product Range

Size	1/2" -2"
Pressure	800LB,900LB, 1500LB,2500LB
Material	A105,F22,F304(L),F316 (L)
Bonnet Design	Bolted/Welded Bonnet Pressure Seal
Ends	Thread(NPT or BSP) Socket Welding/Flange

Enforced Standard

Design	API 602/ASME B16.34
Face To Face	ASME B16.10
End Flange	ASME B16.5
Screw Ends	ASME B11.20.1
Test	API 598



FEATURES: ,

Full Or Conventional Port, Outside Screw and Yoke, Internal Backseat

Part Name

No.	1	2	3	4	5	6
Name	Body	Seat	Disc	Stem	Gasket	Bonnet
No.	7	8	9	10	11	12
Name	Bolt	Packing	Pin	Gland	Eye Bolt	Gland Flange
No.	13	14	15	16	17	18
Name	Hex Nut	Gasket	Stem Nut	Handwheel	Nameplate	Flat Nut