

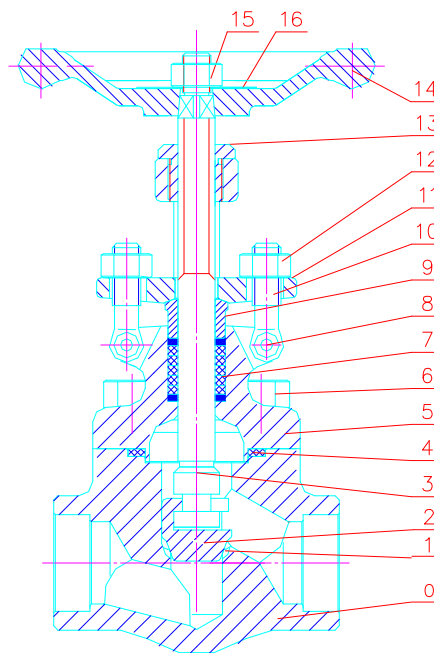
## Forged Steel Globe Valve

### Product Range

Size	1/2"-2"
Pressure	800LB,900LB, 1500LB,2500LB
Material	A105,F22,F304( L ),F316 ( L )
Bonnet Design	Bolted/Welded Bonnet Pressure Seal
Ends	Thread(NPT or BSP) Socket Welding/Flange

### Enforced Standard

Design	API 602/ASME B16.34
Face To Face	ASME B16.10
End Flange	ASME B16.5
Screw Ends	ASME B11.20.1
Test	API 598



### FEATURES:

Full Or Conventional Port, Outside Screw and Yoke, Internal Backseat

### Part Name

No.	0	1	2	3	4	5
Name	Body	Seat	Disc	Stem	Gasket	Bonnet
No.		7	8	9	10	11
Name	Bolt	Packing	Pin	Gland	Eye Bolt	Gland Flange
No.	12	13	14	15	16	
Name	Hex Nut	Stem Nut	Handwheel	Hex Nut	Nameplate	