

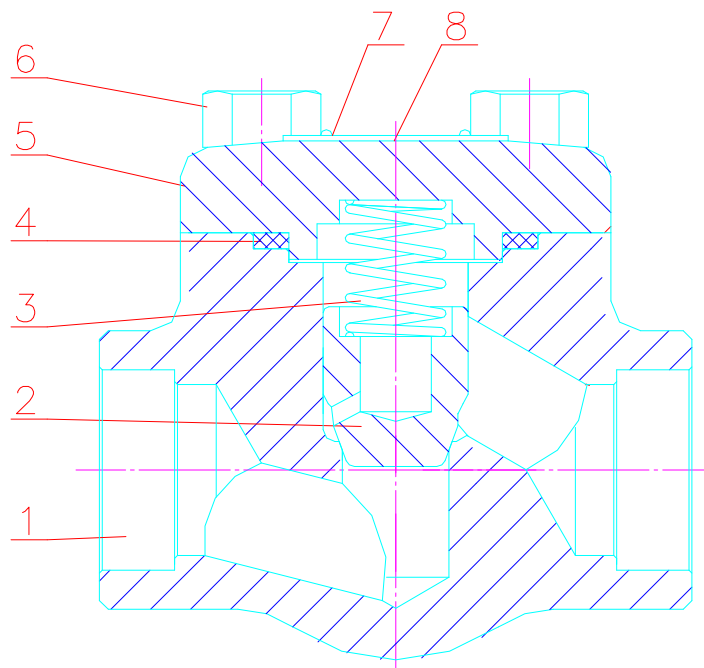
Forged Steel Check Valve

Product Range

Size	1/2"-2"
Pressure	800LB,900LB, 1500LB,2500LB
Type	Swing/Lifting Check Valve
Bonnet Design	Bolted/Welded Bonnet Pressure Seal
Ends	Thread(NPT or BSP) Socket Welding/Flange

Enforced Standard

Design	API 602/ASME B16.34
Face To Face	ASME B16.10
End Flange	ASME B16.5
Screw Ends	ASME B11.20.1
Test	API 598



FEATURES: ,

Swing Type/Lifting Type

Full Or Conventional Port, Outside Screw and Yoke, Internal Backseat

Part Name

No.	1	2	3	4	5	6
Name	Body	Disc	Spring	Gasket	Bonnet	Bolt
No.	7	8				
Name	Nameplate	Rivet				