

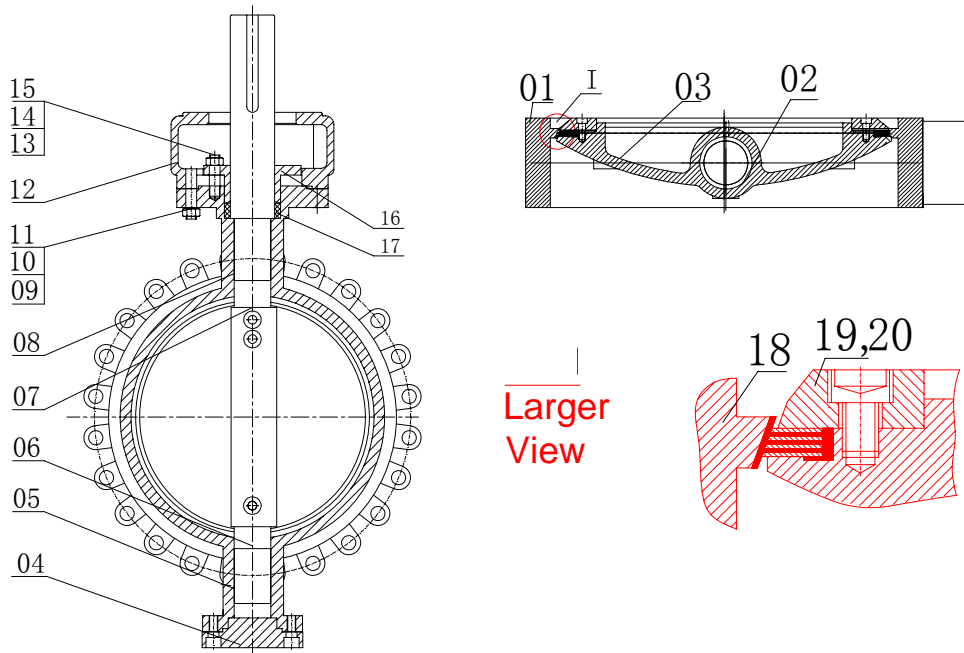
Metal Sealed Butterfly Valve

Product Range

Size	2"-32"
Pressure	150LB/300LB/600LB
Material	WCB, CF8, CF3, CF3M, CF8M Etc.
End Connection	Lug, Flang, Wafer

Enforced Standard

Design	API 609/ASME B16.34
Face To Face	ANSI B16.10
End Flange	ASME B16.5
Test	API 598



FEATURES:

Long life service, Low Torque, Quick open and close.

Part Name

No.	1	2	3	4	5	6	7
Name	Body	Pin	Disc	Bonnet	Bush	Stem	Upper Stem
No.	8	9	10	11	12	13	14
Name	Bush	Stud	Nut	Bushing Ring	Yoke	Nut	Ring
No.	15	16	17	18	19	20	
Name	Stud	Packing Gland	Packing	Seat	Seat Insert	Pressure Ring	